



**EPCO - USA / EPCO - U.K.**  
**EPCO PHILS. STRUCTURAL GLASS, INC.**

Glass Fittings - Design & Engineering - Glazing & Glass Facade Specialist

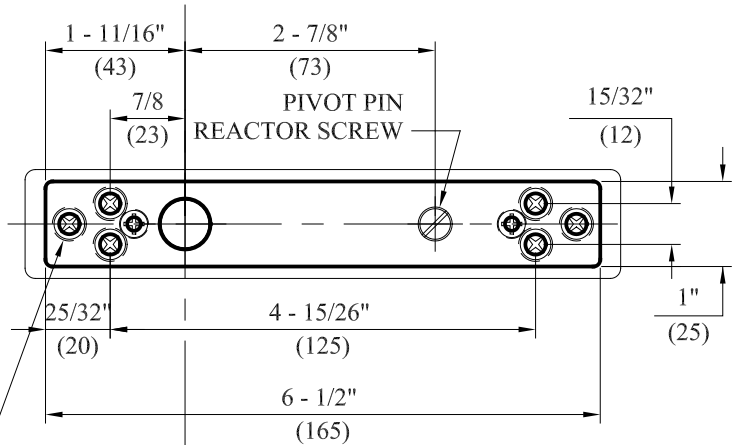
EPCO - USA Tel: (626) 961-6827 Fax: (626) 961-3525  
 EPCO - U.K. Tel: (020) 8968-3885 Mobile: 07590-569-903  
 EPCO - Phils Tel: (632) 532-1499 to 1501 Fax: (632) 531-9010

<b>Model No.</b>	9914S - 15 + 9964S (STEEL)		
<b>Accessorie:</b>	Center Top Hung Pivot		
<b>For use with:</b>	EPCO 96 Series Floor Hinge		
<b>No.</b>	0	<b>Revisions:</b>	AUG-27-13
		<b>Date:</b>	

**DOOR CLEARANCE**

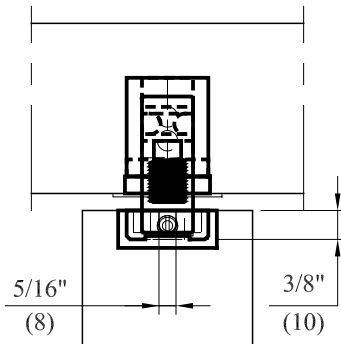
POSITION	STANDARD PIN		EXTENDED PIN	
	inches	mm	inches	mm
A	1/8"	3 mm	3/4"	19 mm
B	3/8"	10 mm	1"	25 mm
C	3/4"	19 mm	1 5/16"	33 mm

**BOTTOM VIEW  
FRAME PORTION**

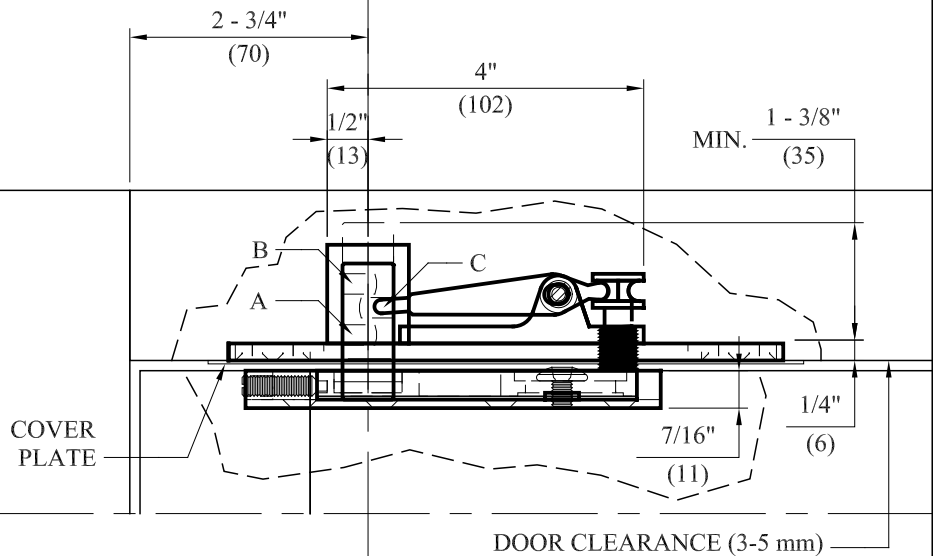


FOR 10-32 MACHINE SCREWS USE No. 21 DRILL  
 FOR WOOD SCREWS USE No. 29 DRILL  
 SIX (6) HOLES FOR MOUNTING PIVOT

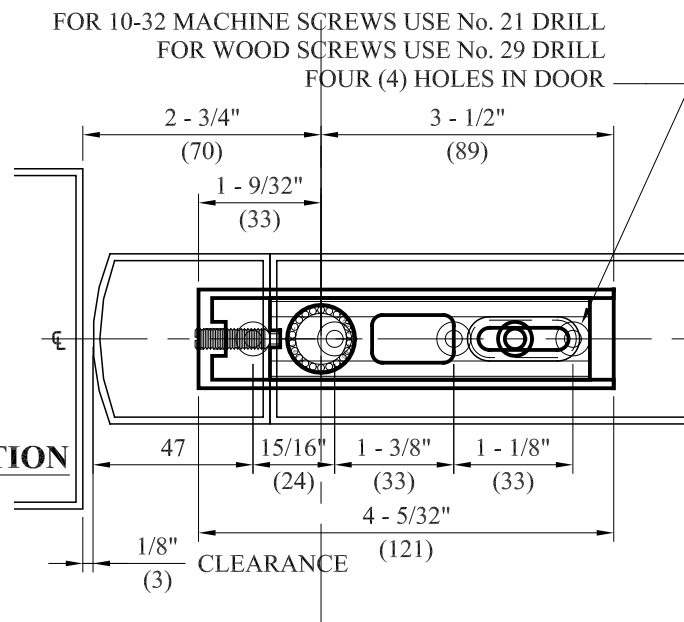
**SIDE VIEW**



**FRONT VIEW**



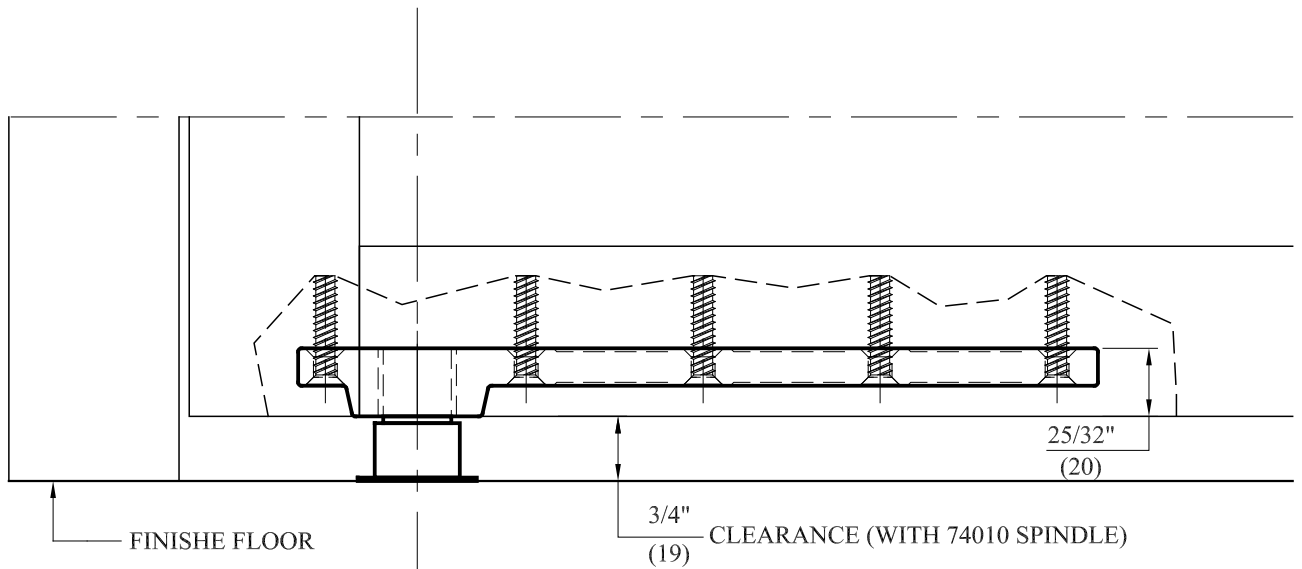
**TOP VIEW  
DOOR PORTION**



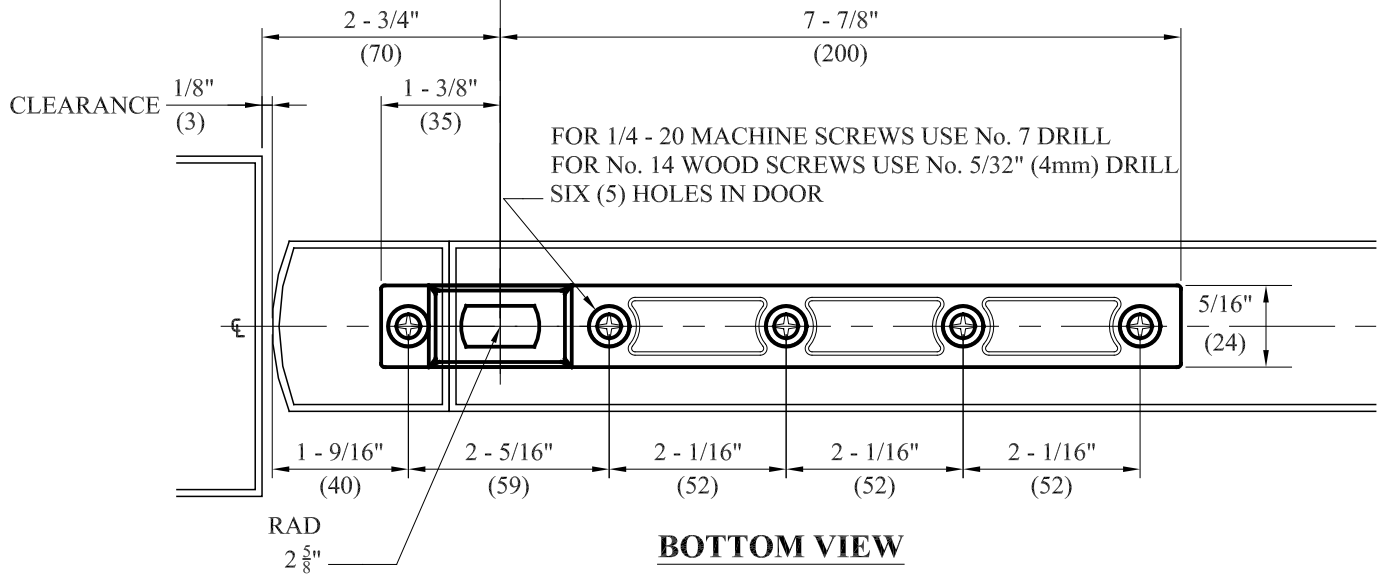


**EPCO - USA / EPCO - U.K.**  
**EPCO PHILS. STRUCTURAL GLASS, INC.**  
 Glass Fittings - Design & Engineering - Glazing & Glass Facade Specialist  
 EPCO - USA Tel: (626) 961-6827 Fax: (626) 961-3525  
 EPCO - U.K. Tel: (020) 8968-3885 Mobile: 07590-569-903  
 EPCO - Phils Tel: (632) 532-1499 to 1501 Fax: (632) 531-9010

<b>Model No.</b>		9968 - 235	
<b>Accessorie:</b>		Bottom Strap	
<b>For use with:</b>		EPCO 96 Series Floor Hinge	
<b>No.</b>	0	<b>Revisions:</b>	AUG-27-13
			<b>Date:</b>



**FRONT VIEW**



**BOTTOM VIEW**

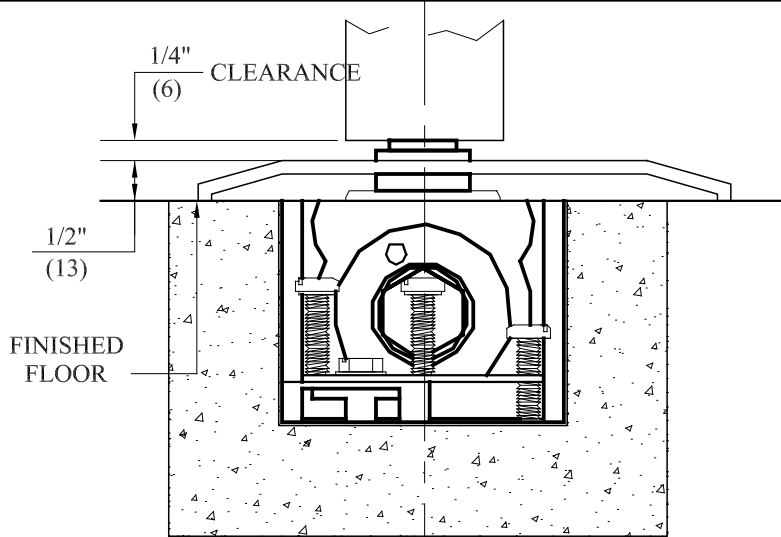


**EPCO - USA / EPCO - U.K.**  
**EPCO PHILS. STRUCTURAL GLASS, INC.**

Glass Fittings - Design & Engineering - Glazing & Glass Facade Specialist

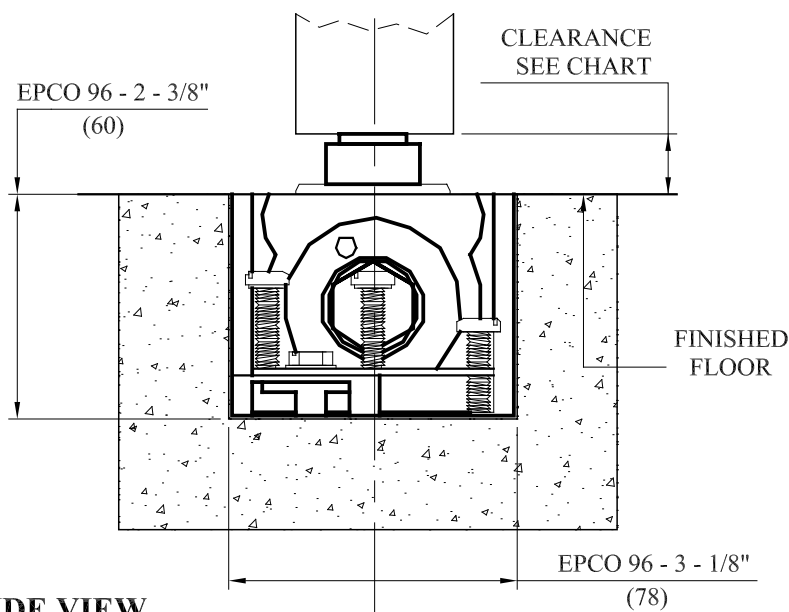
**EPCO - USA** Tel: (626) 961-6827 Fax: (626) 961-3525  
**EPCO - U.K.** Tel: (020) 8968-3885 Mobile: 07590-569-903  
**EPCO - Phils** Tel: (632) 532-1499 to 1501 Fax: (632) 531-9010

<b>Model No.</b>	EPCO 96 Series		
<b>Accessorie:</b>	Heavy Duty Floor Hinge (300 KG)		
<b>For use with:</b>	(B) TYPE		
<b>No.</b>	0	<b>Revisions:</b>	AUG-27-13
		<b>Date:</b>	

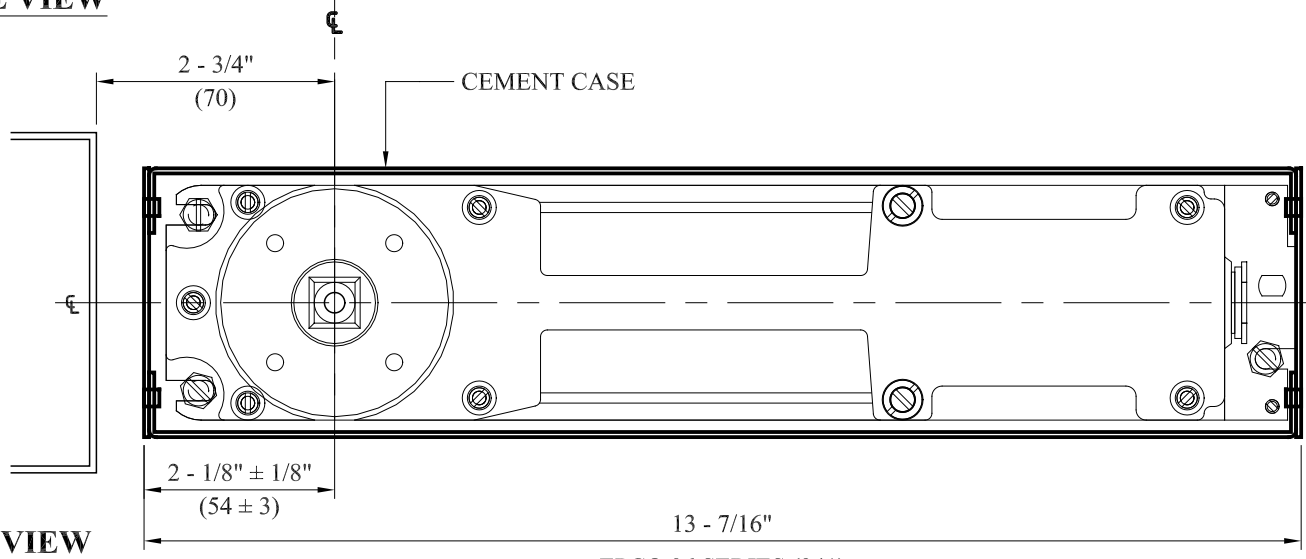


**SIDE VIEW**

THRESHOLD  
WITH 74010 SPINDLE



**SIDE VIEW**



**TOP VIEW**

EPCO 96 SERIES (341)

**SPINDLES CHART:**

SPINDLE No.	CLEARANCE	
	inches	mm
74003	5/16"	8 mm
74005	1/2"	13 mm
74007	5/8"	15.5 mm
(STD.) 74010	3/4"	19 mm
74012	13/16"	20.5 mm
74015	7/8"	23 mm
74020	1 - 1/8"	28 mm
74025	1 - 5/16"	33 mm
74030	1 - 1/2"	38 mm
74035	1 - 11/16"	43 mm
74040	1 - 7/8"	48 mm
74045	2 - 1/6"	53 mm
74050	2 - 5/16"	58 mm