



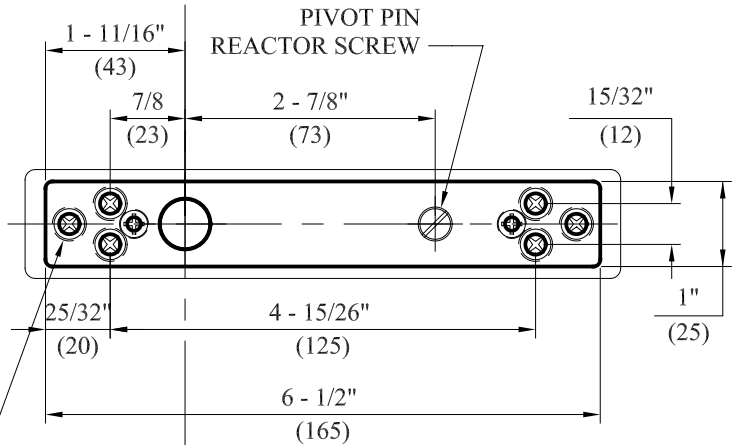
EPCO - USA / EPCO - U.K.
EPCO PHILS. STRUCTURAL GLASS, INC.
 Glass Fittings - Design & Engineering - Glazing & Glass Facade Specialist
 EPCO - USA Tel: (626) 961-6827 Fax: (626) 961-3525
 EPCO - U.K. Tel: (020) 8968-3885 Mobile: 07590-569-903
 EPCO - Phils Tel: (632) 532-1499 to 1501 Fax: (632) 531-9010

Model No.	9914S - 15 + 9964S (STEEL)		
Accessorie:	Center Top Hung Pivot		
For use with:	EPCO 96 Series Floor Hinge		
No.	0	Revisions:	AUG-27-13
		Date:	

DOOR CLEARANCE

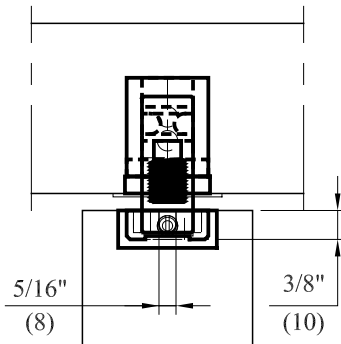
POSITION	STANDARD PIN		EXTENDED PIN	
	inches	mm	inches	mm
A	1/8"	3 mm	3/4"	19 mm
B	3/8"	10 mm	1"	25 mm
C	3/4"	19 mm	1 5/16"	33 mm

**BOTTOM VIEW
FRAME PORTION**

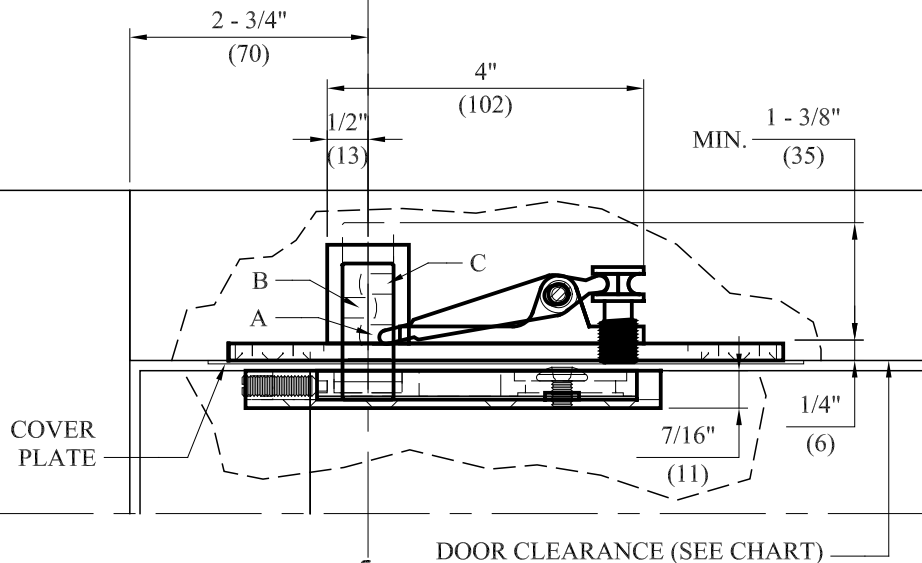


FOR 10-32 MACHINE SCREWS USE No. 21 DRILL
 FOR WOOD SCREWS USE No. 29 DRILL
 SIX (6) HOLES FOR MOUNTING PIVOT

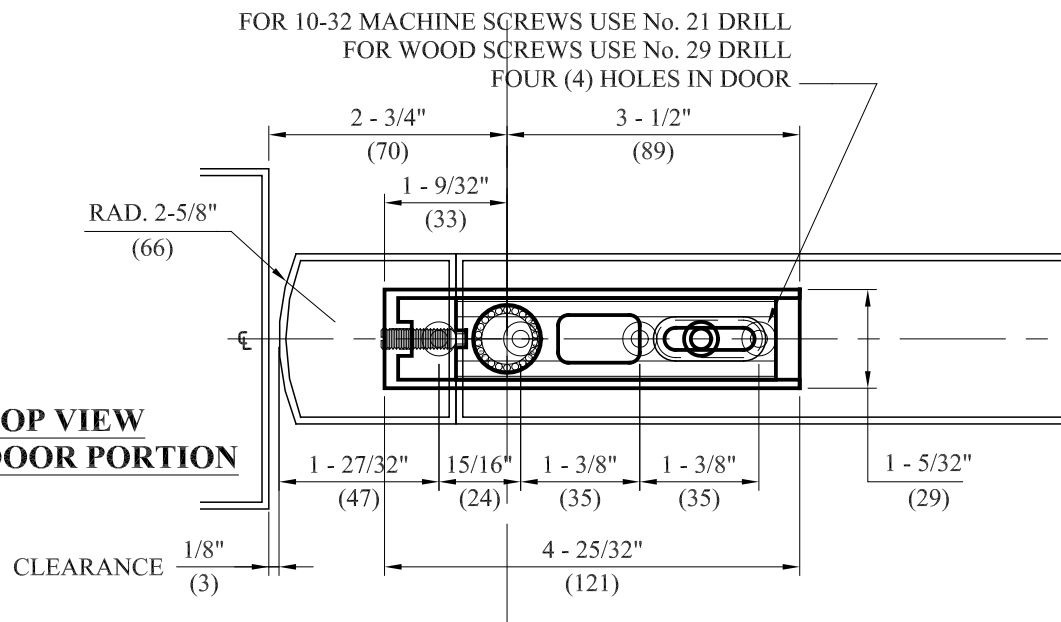
SIDE VIEW



FRONT VIEW



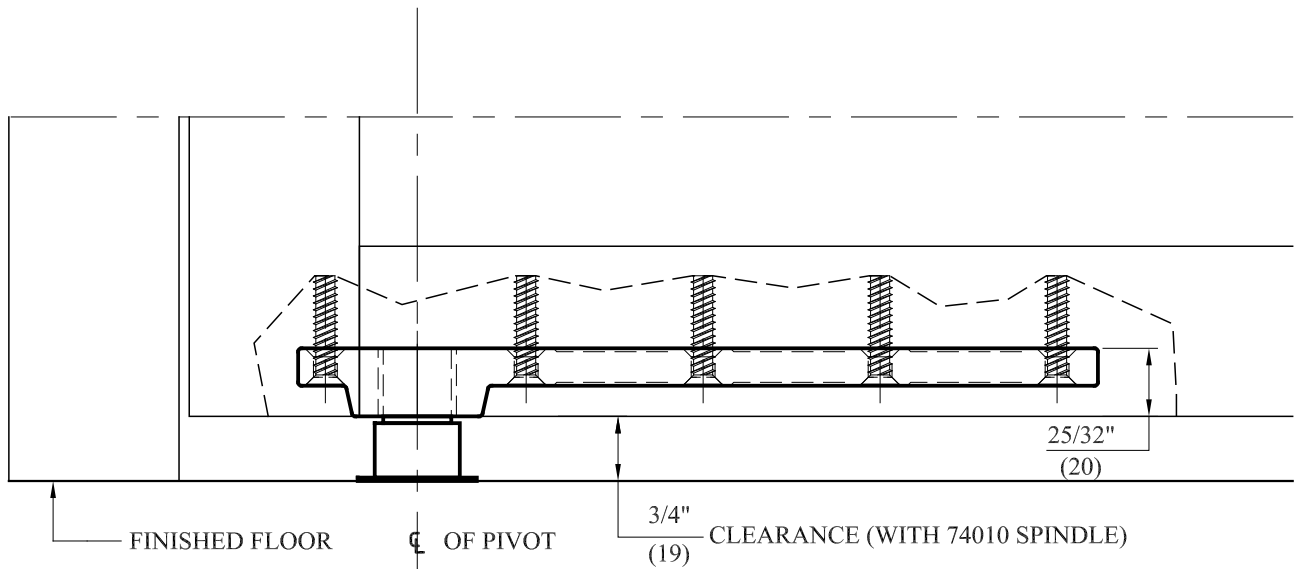
**TOP VIEW
DOOR PORTION**



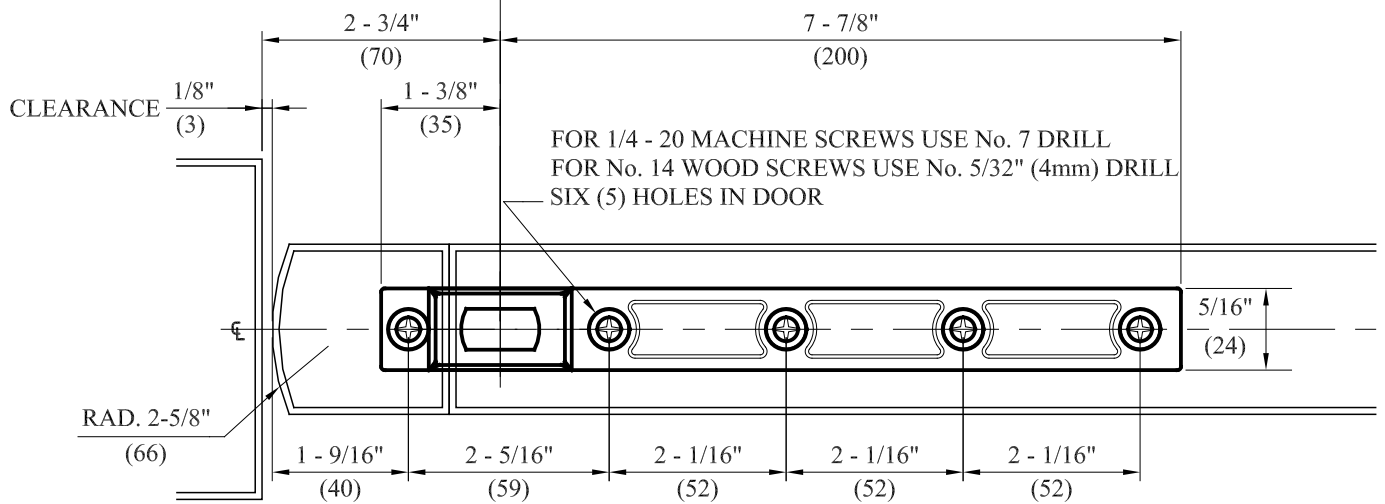


EPCO - USA / EPCO - U.K.
EPCO PHILS. STRUCTURAL GLASS, INC.
 Glass Fittings - Design & Engineering - Glazing & Glass Facade Specialist
 EPCO - USA Tel: (626) 961-6827 Fax: (626) 961-3525
 EPCO - U.K. Tel: (020) 8968-3885 Mobile: 07590-569-903
 EPCO - Phils Tel: (632) 532-1499 to 1501 Fax: (632) 531-9010

Model No.		9968 - 235	
Accessorie:		Bottom Strap	
For use with:		EPCO 96 Series Floor Hinge	
No.	0	Revisions:	AUG-27-13
			Date:



FRONT VIEW



BOTTOM VIEW



EPCO - USA / EPCO - U.K.
EPCO PHILS. STRUCTURAL GLASS, INC.

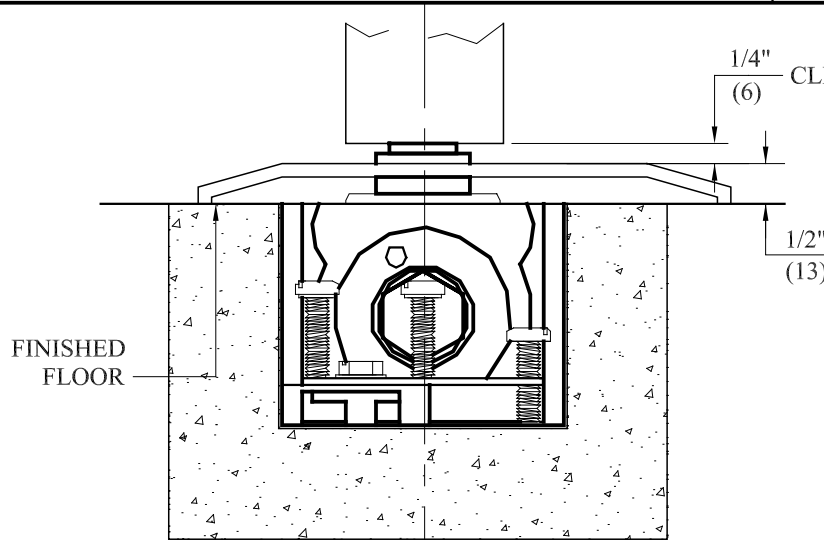
Glass Fittings - Design & Engineering - Glazing & Glass Facade Specialist

EPCO - USA
 Tel: (626) 961-6827
 Fax: (626) 961-3525

EPCO - U.K.
 Tel: (020) 8968-3885
 Mobile: 07590-569-903

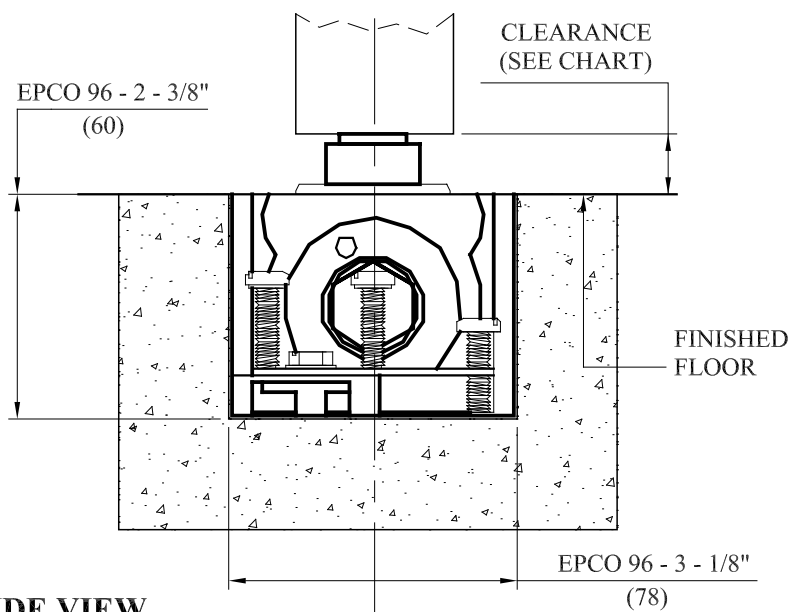
EPCO - Phils
 Tel: (632) 532-1499 to 1501
 Fax: (632) 531-9010

Model No.	EPCO 96 Series		
Accessorie:	Heavy Duty Floor Hinge (300 KG)		
For use with:	(B) TYPE		
No.	0	Revisions:	AUG-27-13
		Date:	

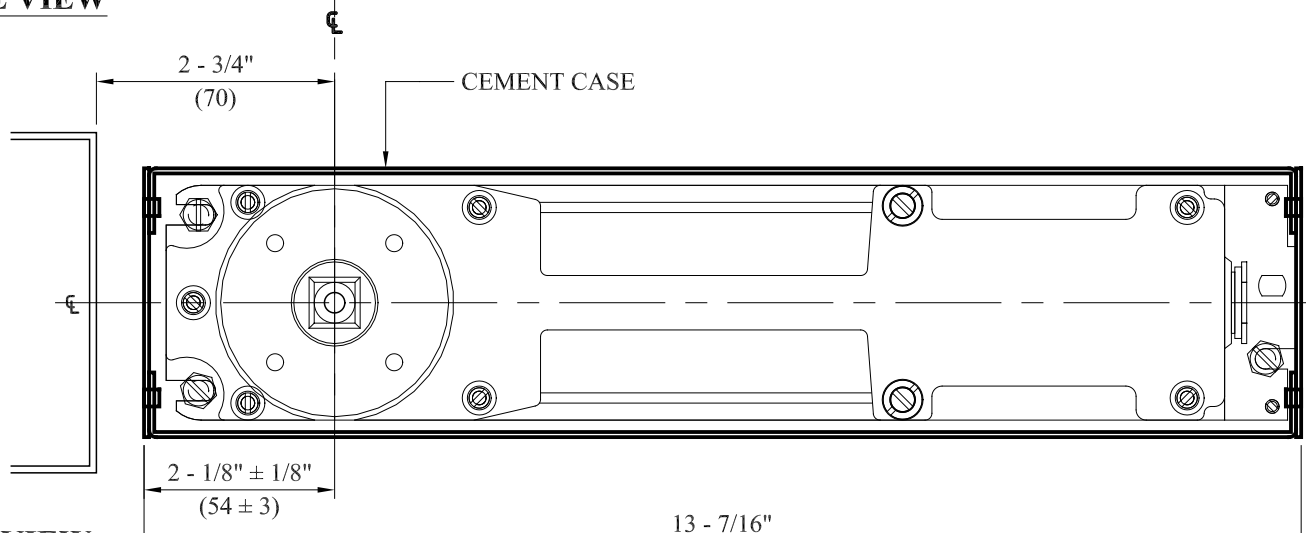


SIDE VIEW

THRESHOLD
WITH 74010 SPINDLE



SIDE VIEW



TOP VIEW

EPCO 96 SERIES (341)

SPINDLES CHART:

SPINDLE No.	CLEARANCE	
	inches	mm
74003	5/16"	8 mm
74005	1/2"	13 mm
74007	5/8"	15.5 mm
(STD.) 74010	3/4"	19 mm
74012	13/16"	20.5 mm
74015	7/8"	23 mm
74020	1 - 1/8"	28 mm
74025	1 - 5/16"	33 mm
74030	1 - 1/2"	38 mm
74035	1 - 11/16"	43 mm
74040	1 - 7/8"	48 mm
74045	2 - 1/6"	53 mm
74050	2 - 5/16"	58 mm