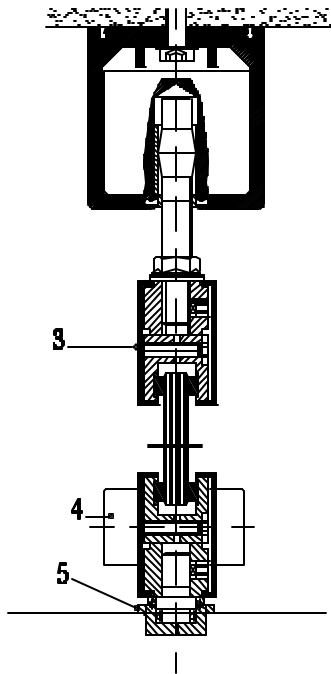




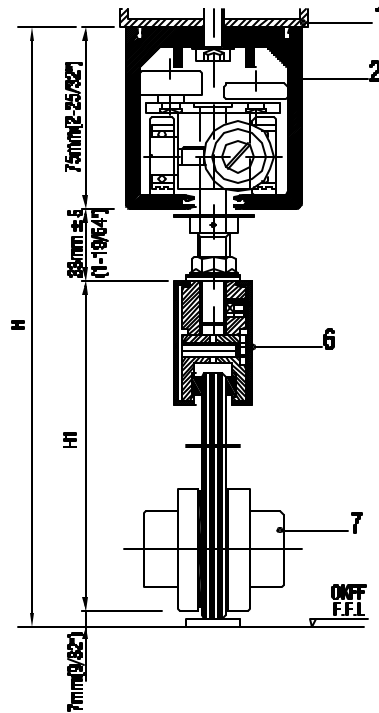
# RS170 Frameless glass stacking door system

Suitable for 10mm or 12mm glass thickness

## Swing door



## sliding panel

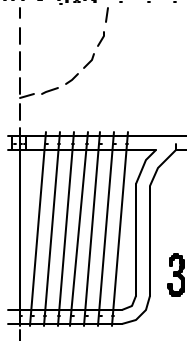
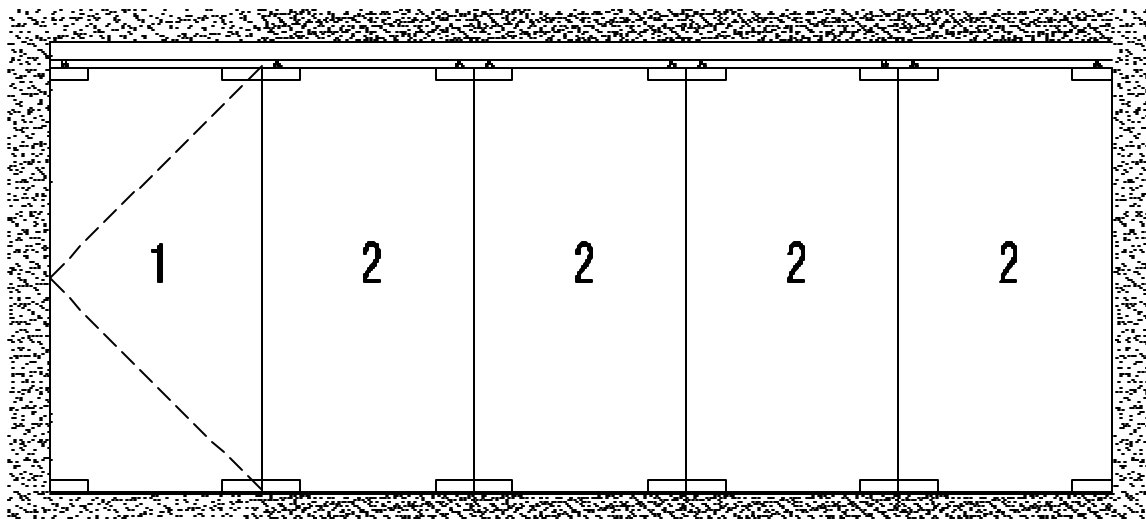


## COMPONENTS

- (1) Steel member (min. 80 mm wide, by others)
- (2) Track
- (3) Top pivot patch
- (4) Bottom pivot patch
- (5) Floor pivot
- (6) Top slider patch
- (7) Bottom corner lock/bottom end fixed locking device

## DOOR DIMENSIONS

- MAX. Panel weight: 100 kg (220 lb)
- MAX. Panel width: 1100 mm (43")
- Optimal panel size for easy of handling: approx. 800 x 2500. (31-1/2" X 98-1/2")
- Clear opening height: H-75 mm
- Glass height: H-115 mm
- Clearances
  - F.F.L.-bottom edge of panel: 7 mm (2/32")
  - Panel-panel: 4 mm (5/32")
  - End panel-wall: 2 mm (1/8")



- (1) Swing door (one of each top and bottom pivoting patch fitting, floor pivot and lock)
- (2) Sliding panel (MAX. 7 panels, two top sliding patch fittings and two bottom patch locks)
- (3) Stacking area (When the partition is opened, sliding panels can be arranged to slide to the left (LH) or to the right (RH). Standard with a max. of 7 sliding panels)

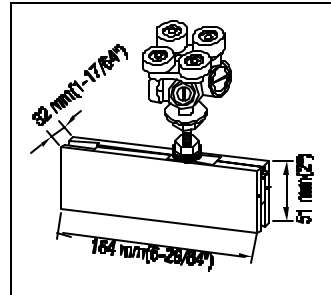
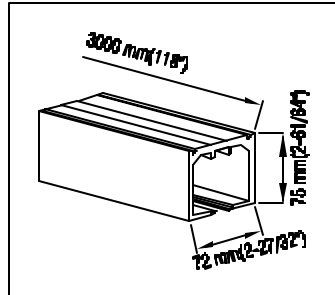


# RS170 Frameless glass stacking door system

Suitable for 10mm or 12mm glass thickness

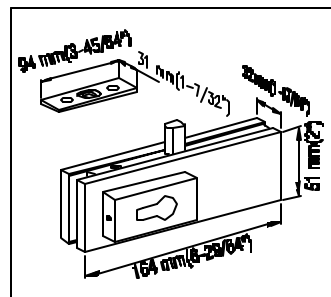
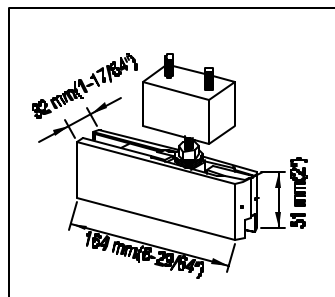
**17.400**  
Track (long)  
3000 mm long, shortable

**17.401**  
Track (short)  
1500 mm long, shortable



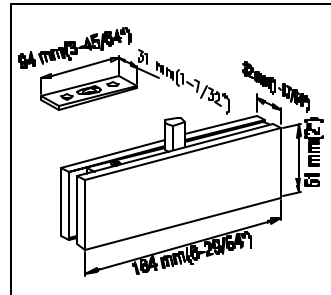
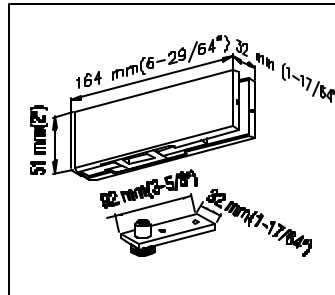
**RS PF 30**  
Top slider-patch  
for sliding panel, complete with  
carrier and glass protection buffer

**RS PF 20**  
Top pivot corner-patch  
with pivot bearing for end panel



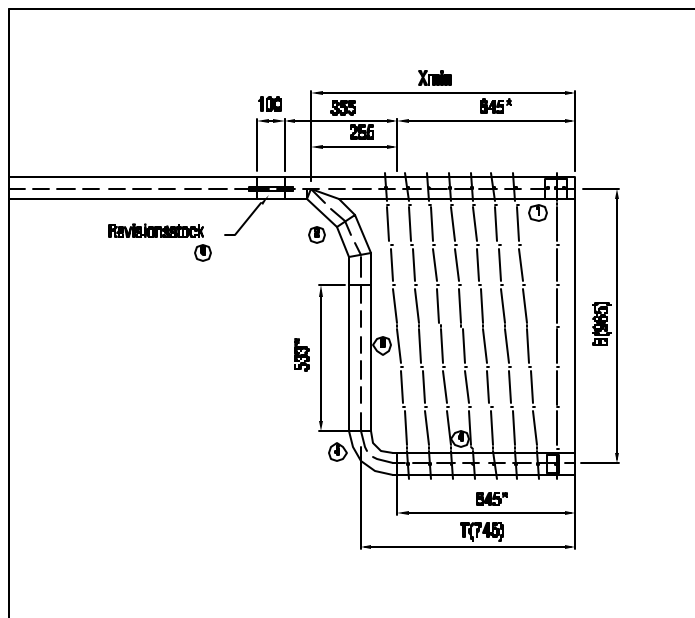
**RS PL 10**  
Bottom corner lock for sliding  
panel, prepared for Europrofile cylinder  
complete with glass protection  
buffer and stainless steel strike plate  
for screw fixing to the floor.

**PF 10**  
Bottom pivot corner-patch  
for end panel



**RS PL 10-1**  
Bottom corner lock for sliding panel,  
prepared for rail profile thurmmum cylinder

**9917**  
Floor pivot bearing



**17.403**  
Stacking area right,  
for max. 7 sliding panel

**17.403**  
Stacking area left,  
for max. 7 sliding panel

Direction as viewed from above  
\*Dimensions dependent on the  
number and size of panel

Adjustment of stack on site  
- Track Members: ① to ④  
- Reduced panel number:  
Adjustment of stack depth "T"  
- Reduced panel width:  
Adjustment of stack width "B"  
- The minimum width of swing  
door : Xmin

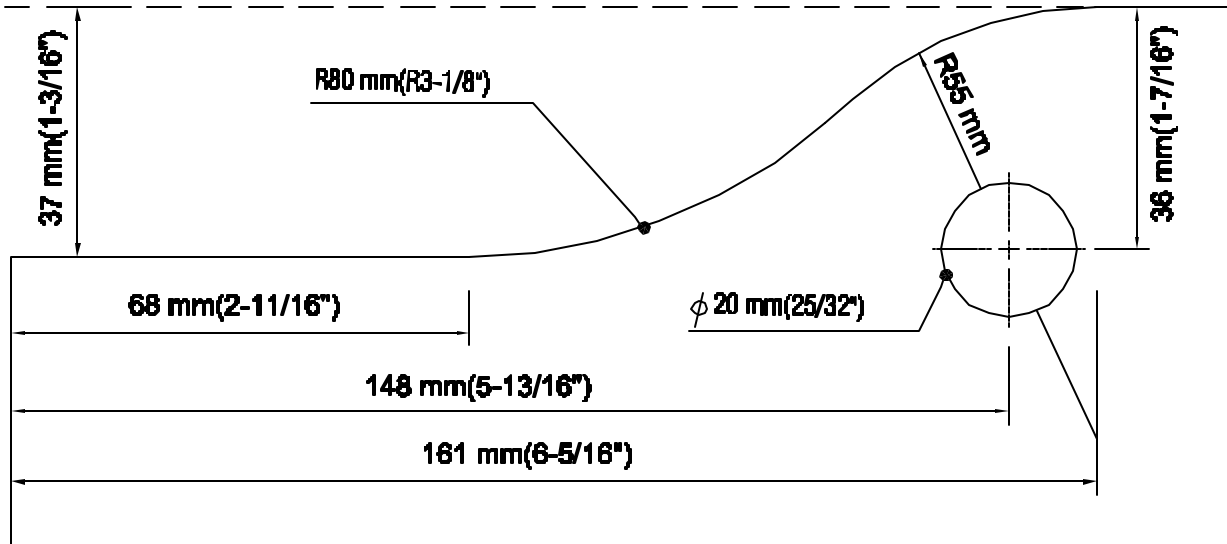


# RS170 Frameless glass stacking door system

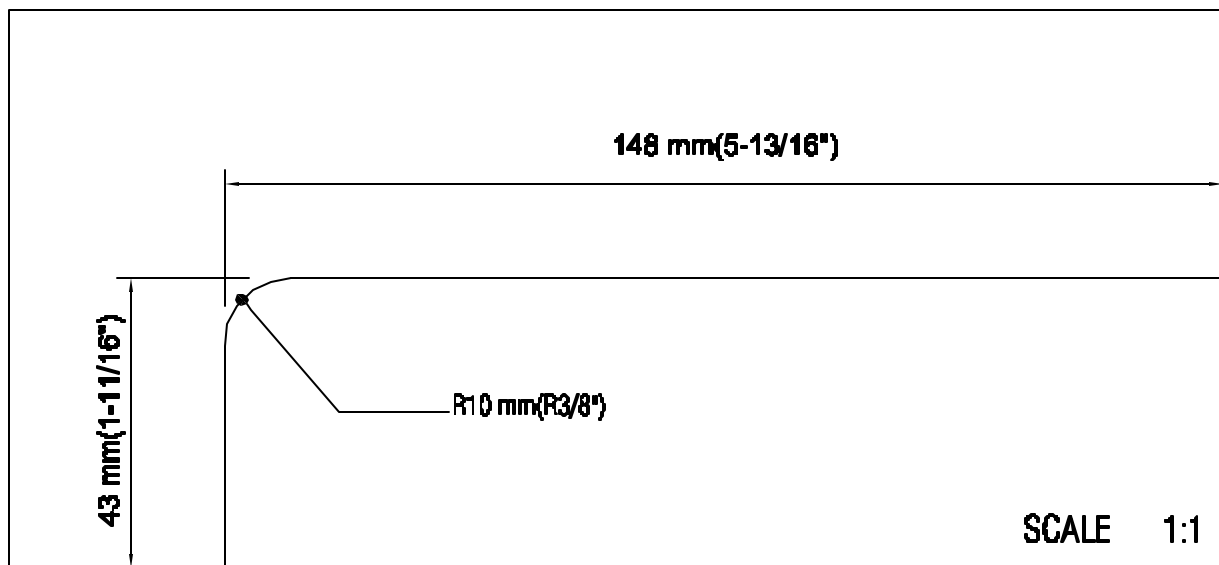
Suitable for 10mm or 12mm glass thickness

## GLASS FABRICATION DETAIL

RS PF 10, RS PF 20, RS PF 30



Bottom Corner Lock RS PL 10



SCALE 1:1