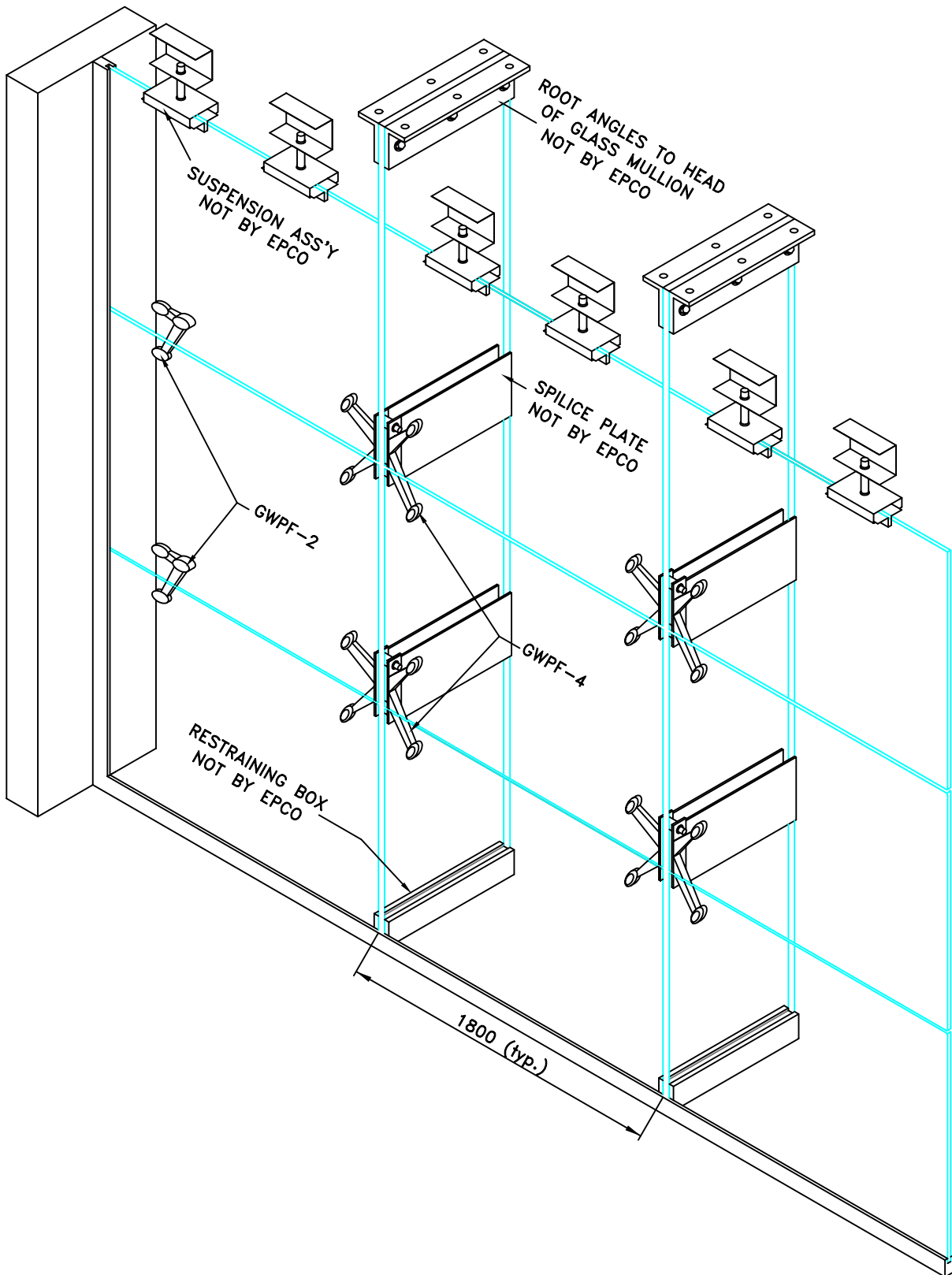


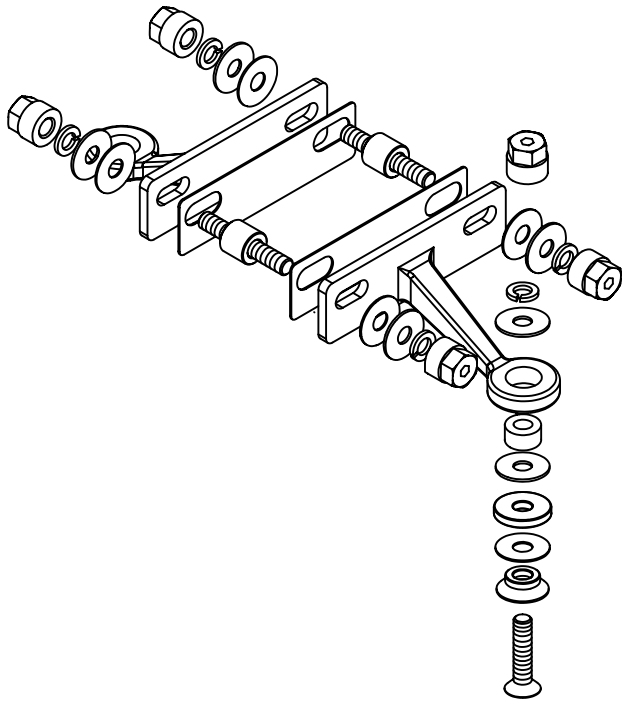


# EPCO GLASS FIN SYSTEM





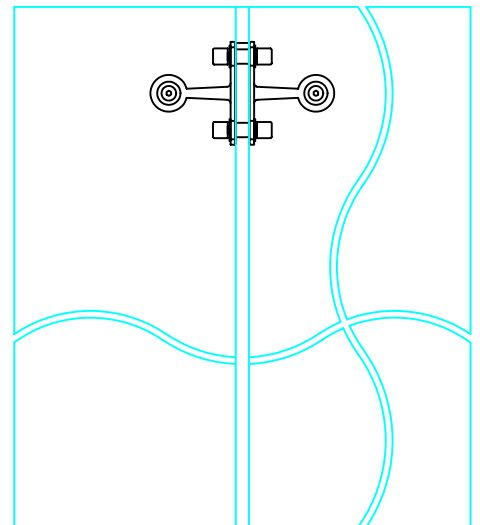
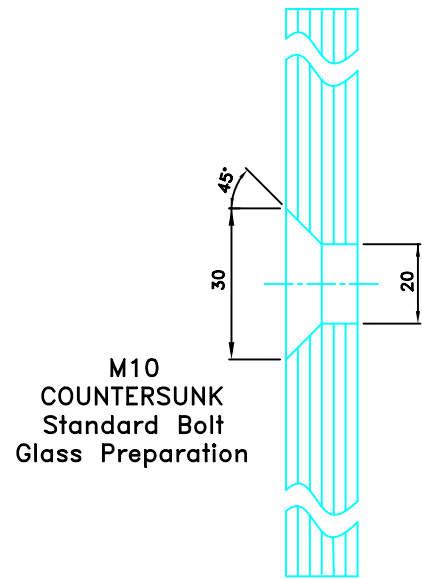
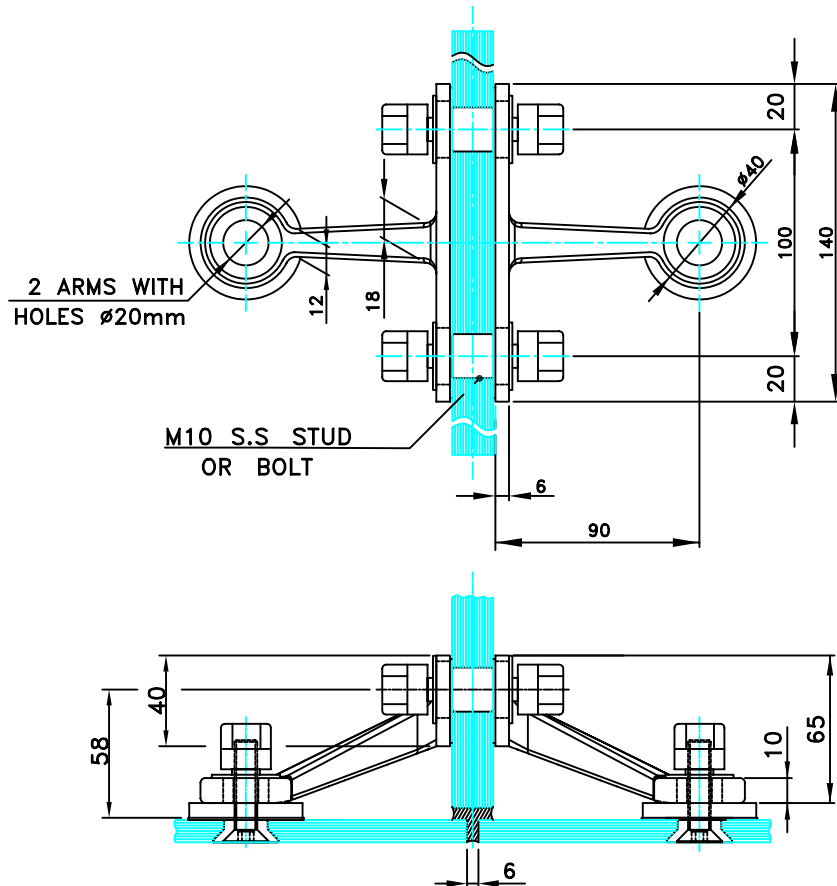
# EPCO GLASS FIN FITTINGS



**GWPFA-2**  
**2 WAY GLASS CONNECTION FOR FIN**  
Material: Stainless 316

### FINISHES AVAILABLE

- Satin Stainless Steel-SS
- Polished Stainless Steel-SP





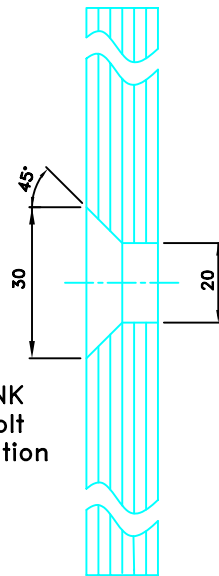
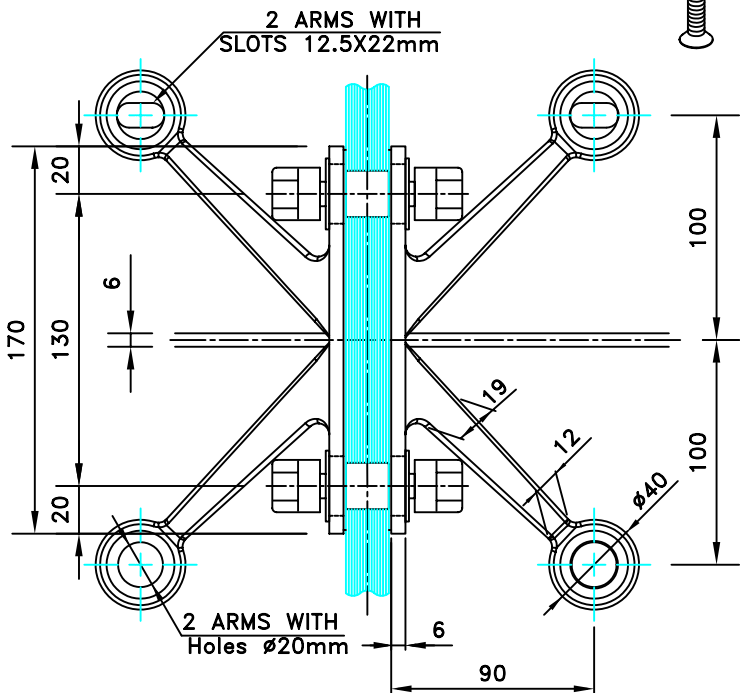
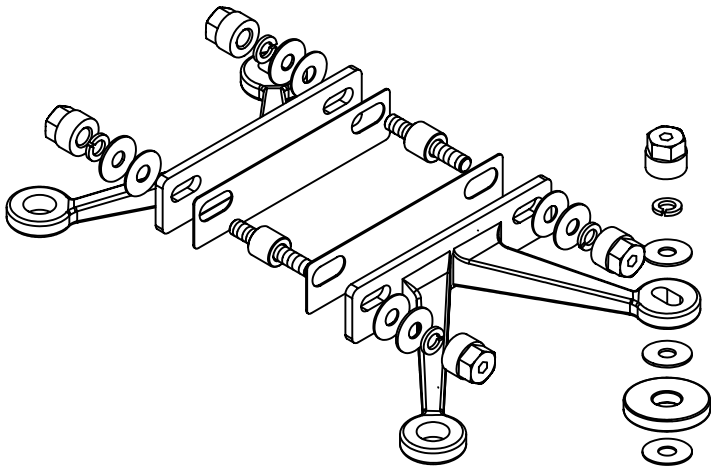
# EPCO GLASS FIN FITTINGS

## GWPFA-4

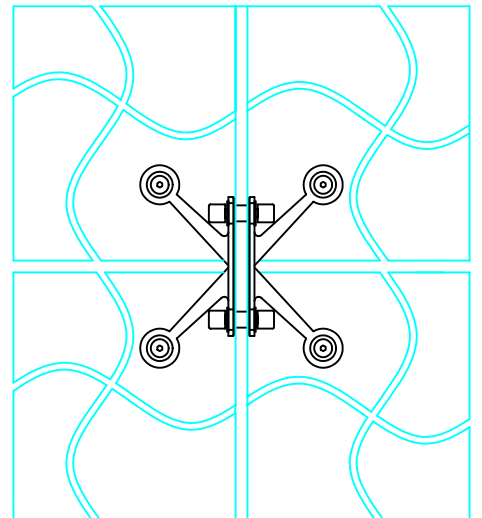
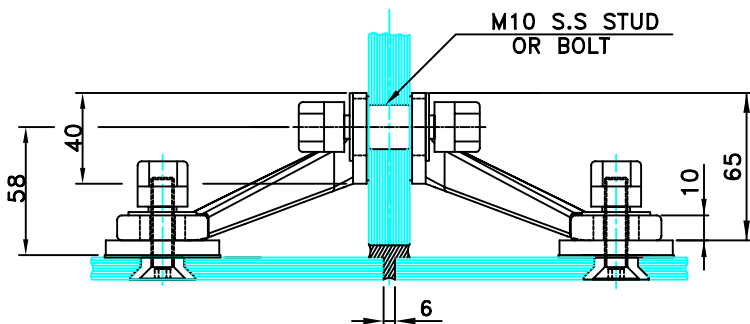
4 WAY GLASS CONNECTION FOR FIN  
Material: Stainless 316

## FINISHES AVAILABLE

- Satin Stainless Steel-SS
- Polished Stainless Steel-SP

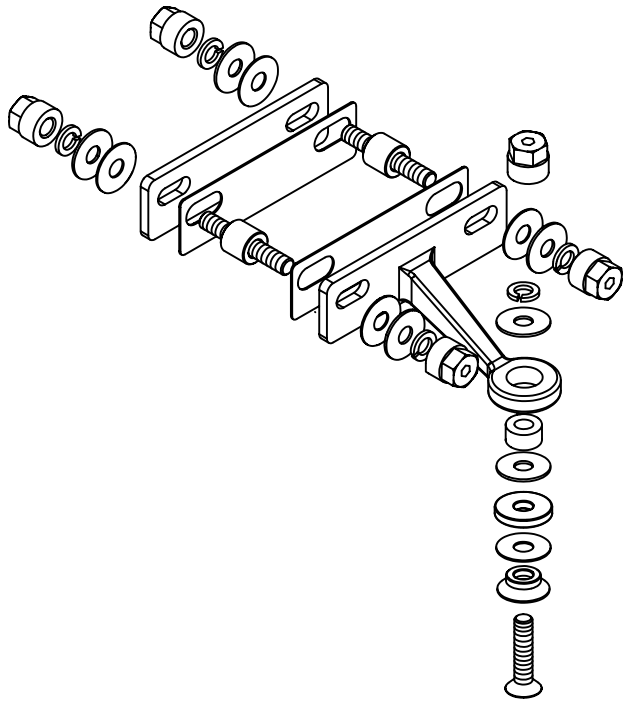


M10  
COUNTERSUNK  
Standard Bolt  
Glass Preparation





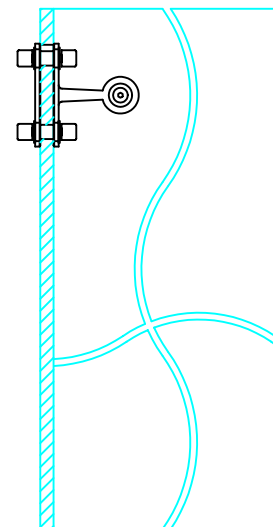
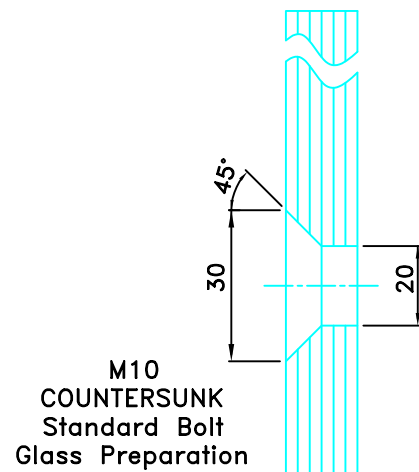
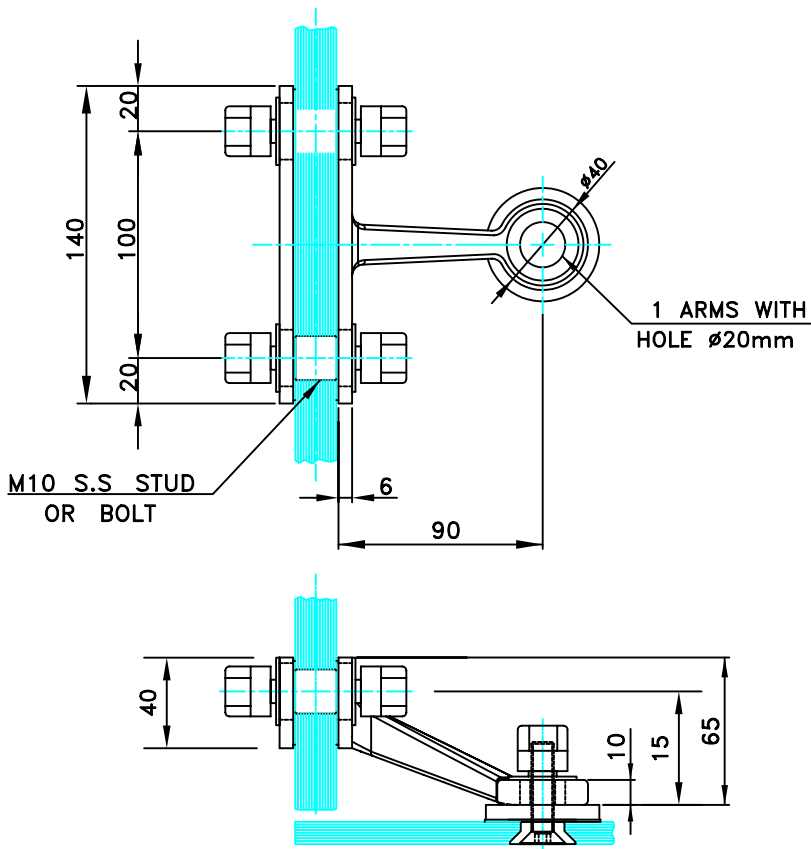
# EPCO GLASS FIN FITTINGS



**GWPFA-2/1/90°**  
**1 WAY GLASS CONNECTION FOR 90°**  
**Material: Stainless 316**

## FINISHES AVAILABLE

- Satin Stainless Steel-SS
- Polished Stainless Steel-SP





# EPCO GLASS FIN FITTINGS

GWPFA-4/2/90°

2 WAY GLASS CONNECTION FOR 90°

Material: Stainless 316

## FINISHES AVAILABLE

- Satin Stainless Steel-SS
- Polished Stainless Steel-SP

