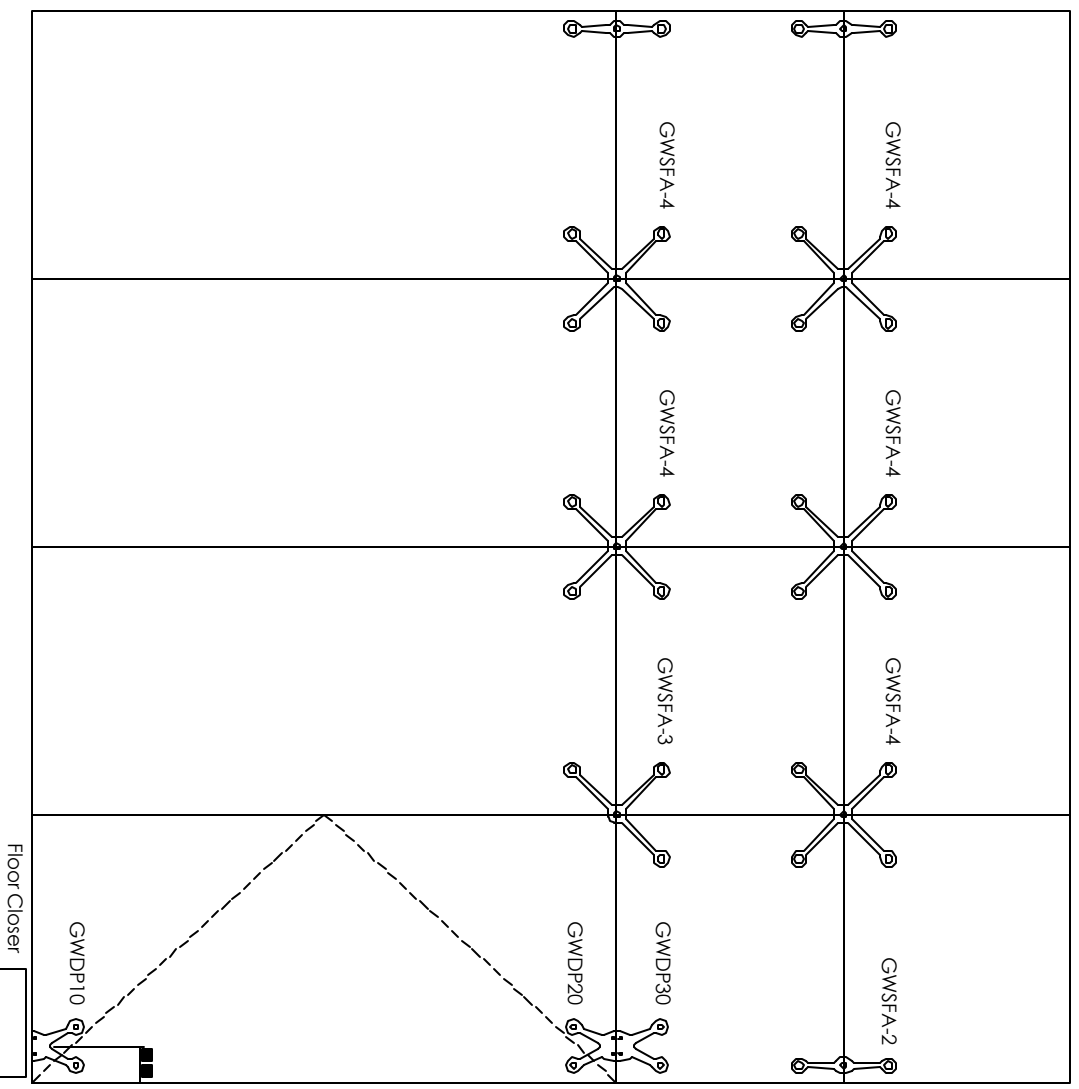
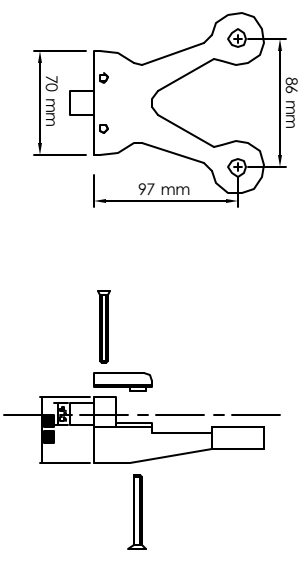


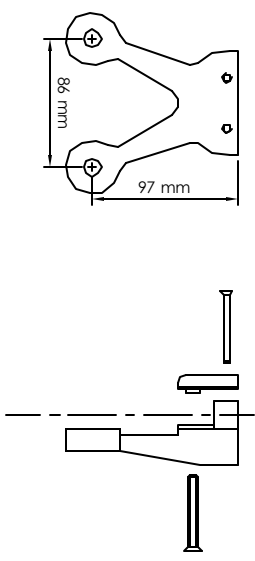
EPCO Stainless Steel Spider Door Fittings
 Designed for Heavy Duty Applications. A New
 innovation to the full range of EPCO Glass Wall Systems
 (for 10 mm and 12 mm glass door)



GWDP30 Top Transom Pivot $\phi 5$ mm



GWDP20 Top Door Pivot w/Needle Bearing



GWDPI10 BTM Door Pivot for Floor Closer

